



ColorFuse Powercore

Linear interior LED wall grazing fixture with intelligent color light



ColorFuse Powercore

Linear interior LED wall grazing fixture with intelligent color light

With narrow and medium beams of high-quality color-changing light, ColorFuse Powercore is an excellent choice for a full range of surface grazing, wall-washing, and accent lighting applications. Its ultra-compact form factor permits installation in tight spaces too small to accommodate conventional grazing fixtures that offer similar level and distribution of light. ColorFuse Powercore combines professional-grade color mixing and output with the efficiency and cost-effectiveness provided by Powercore technology.

- High-performance illumination — ColorFuse Powercore is available in 1 ft (305 mm) and 4 ft (1.2 m) die-cast aluminum housings with a narrow 10° x 60° or medium 30° x 60° beam angle. Superior beam quality delivers striation-free light. Interlocking connectors accommodate end-to-end installation without visible light scalloping between fixtures.
- Superior color consistency — Optibin, a proprietary binning optimization process developed by Philips Color Kinetics, guarantees consistency of hue across LEDs, fixtures, and manufacturing runs.
- Advanced color mixing — Patented Chromacore technology, pioneered by Philips Color Kinetics, enables precise control over individual LED channels to produce millions of colors and full-color, dynamic effects.
- Integrates Powercore technology — Powercore technology rapidly, efficiently, and accurately controls power output to ColorFuse Powercore fixtures directly from line voltage. The Philips Data Enabler Pro merges line voltage with control and delivers them to the fixture over a single standard cable, dramatically simplifying installation and lowering total system cost.
- Industry-leading controls — ColorFuse Powercore works seamlessly with the complete Philips Color Kinetics line of controllers, including Light System Manager, iPlayer 3, and ColorDial Pro, as well as third-party controllers.
- Universal power input range — ColorFuse Powercore accepts power input of 100 – 240 VAC for consistent installation anywhere in the world.
- Easy installation — By delivering line voltage directly to the fixtures, Powercore reduces the number of external power supplies, allowing long product runs and eliminating the need for special wiring. Easy-to-install 4 ft (1.2 m) mounting tracks allow quick project setup in linear applications.
- Flexible mounting and positioning — With end-to-end locking power connectors that can make 180° turns, these compact grazing fixtures are easy to position in even the most challenging mounting circumstances. 1 ft (305 mm) and 5 ft (1.5 m) jumper cables can add extra space between fixtures. Optional mounting tracks support vertical and overhead positioning.



Intense Light Output

ColorFuse Powercore high-performance grazing fixtures deliver professional-grade illuminance with total light output of over 380 lumens per foot.

Professional, Dramatic, Innovative

The Jordan Conference Room, in an Oklahoma City, Oklahoma, USA, marketing firm, was a large conventional meeting room that needed an updated look and functionality. Working with interior designer Malia Tate, head of the Interior Design Division at RBA Architects, the firm outlined a renovation plan that included a high-impact lighting system that employees could easily change to support different presentations and uses.



Photography by Simon Hurst Photography

Because the physical layout of the conference room makes access to fixtures difficult, Tate selected integrated LED lighting fixtures from Philips Color Kinetics, which afford long useful source life and low-maintenance operation. To achieve the look of a professional yet innovative space and ensure high visual impact throughout the room, 28 ColorFuse Powercore fixtures are mounted behind white laminated glass at 5.0 – 10.0 ft (1.5 – 3.0 m) intervals. Each set of floor-to-ceiling laminated glass panels has one fixture mounted on the floor, one on the ceiling, and one in the ceiling cloud hanging above the conference table. A Data Enabler Pro device receives data from an iPlayer 3 DMX controller and delivers integrated data and power to the ColorFuse Powercore fixtures, bringing the room to life with programmable color-changing light.

The end result is exactly what the client asked for — a flexible lighting solution that provides dramatic mood lighting and high visual impact for presentations. Philips Color Kinetics LED solutions transform the Jordan Conference Room from an ordinary meeting room into a state-of-the-art innovation center.

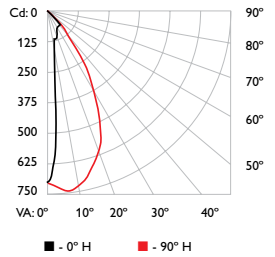
Photometrics

Photometric data is based on test results from an independent NIST traceable testing lab. IES data is available at www.philipscolorkinetics.com/support/ies.

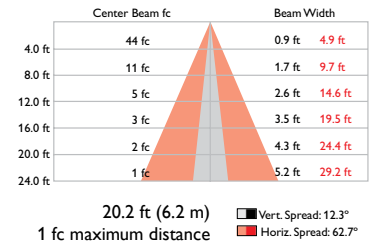
ColorFuse Powercore 1 ft, 10° x 60° (narrow) beam angle

LED	Lumens	Efficacy
RGB	384	23.3

Polar Candela Distribution



Illuminance at Distance



Zonal Lumen

ZONE	LUMENS	%FIXT
0- 30	202	52.6
0- 40	266	69.3
0- 60	339	88.3
0- 90	373	97.1
90-120	8	2.1
90-130	10	2.5
90-150	11	2.8
90-180	11	2.9
0-180	384	100.0

Coefficients Of Utilization - Zonal Cavity Method

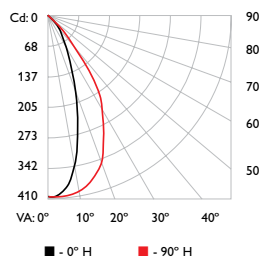
Effective Floor Cavity Reflectance: 20%

RC	80	70	50	30	10	0		
RW	70	50	30	10	50	30	10	0
0	118118118118	115115115115	109109109	104104104	99 99 99	99	99	99
1	111107104101	108105102 99	100 98 95	96 94 92	92 90 89	87	87	87
2	104 97 92 88	101 95 91 87	92 88 84	88 85 82	85 82 80	78	78	78
3	97 89 83 78	95 87 82 77	84 79 75	81 77 74	79 75 72	70	70	70
4	91 82 75 70	89 80 74 69	78 72 68	75 71 67	73 69 66	64	64	64
5	86 76 69 64	84 75 68 63	72 67 62	70 65 61	68 64 61	59	59	59
6	81 70 63 58	79 69 63 58	67 62 57	66 61 57	64 60 56	54	54	54
7	76 66 59 54	75 65 58 54	63 57 53	62 56 53	60 56 52	50	50	50
8	72 62 55 50	71 61 54 50	59 54 49	58 53 49	57 52 49	47	47	47
9	69 58 51 47	67 57 51 47	56 50 46	55 50 46	54 49 46	44	44	44
10	65 55 48 44	64 54 48 44	53 47 44	52 47 43	51 46 43	42	42	42

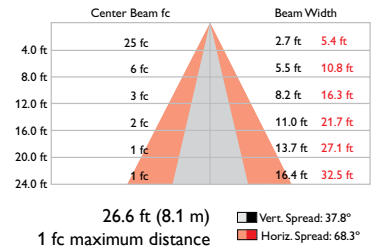
ColorFuse Powercore 1 ft, 30° x 60° (medium) beam angle

LED	Lumens	Efficacy
RGB	380	22.5

Polar Candela Distribution



Illuminance at Distance



Zonal Lumen

ZONE	LUMENS	%FIXT
0- 30	221	58.0
0- 40	290	76.1
0- 60	346	91.0
0- 90	373	98.1
90-120	6	1.5
90-130	7	1.7
90-150	7	1.9
90-180	7	1.9
0-180	380	100.0

Coefficients Of Utilization - Zonal Cavity Method

Effective Floor Cavity Reflectance: 20%

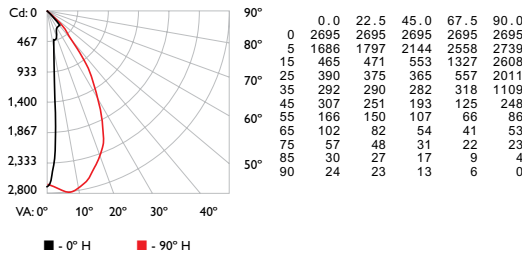
RC	80	70	50	30	10	0		
RW	70	50	30	10	50	30	10	0
0	119119119119	116116116116	110110110	105105105	100100100	98		
1	111108105102	109106103100	101 99 97	97 95 94	93 92 91	89		
2	105 99 94 90	102 97 92 89	93 89 86	90 87 84	87 84 82	80		
3	98 91 85 80	96 89 84 79	86 81 78	83 79 76	81 78 75	73		
4	93 84 77 72	90 82 76 72	80 75 71	78 73 70	75 72 69	67		
5	87 78 71 66	85 76 70 65	74 69 65	72 68 64	71 67 63	61		
6	82 72 65 61	81 71 65 60	70 64 60	68 63 59	66 62 59	57		
7	78 67 61 56	76 67 60 56	65 59 55	64 59 55	62 58 54	53		
8	74 63 57 52	72 63 56 52	61 56 52	60 55 51	59 54 51	49		
9	70 60 53 49	69 59 53 48	58 52 48	57 52 48	56 51 48	46		
10	67 56 50 46	66 56 50 45	55 49 45	54 49 45	53 48 45	43		

For lux multiply fc by 10.7

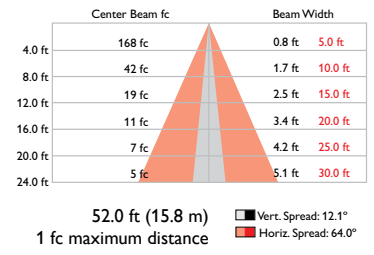
ColorFuse Powercore
4 ft, 10° x 60° (narrow) beam angle

LED	Lumens	Efficacy
RGB	1407	29.4

Polar Candela Distribution



Illuminance at Distance



Zonal Lumen

ZONE	LUMENS	%FIXT
0- 30	745	53.0
0- 40	986	70.1
0- 60	1249	88.8
0- 90	1370	97.4
90-120	28	2.0
90-130	33	2.4
90-150	37	2.6
90-180	37	2.6
0-180	1407	100.0

Coefficients Of Utilization - Zonal Cavity Method

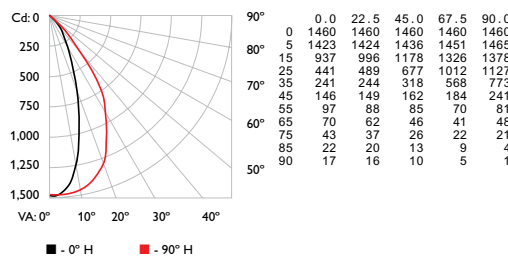
Effective Floor Cavity Reflectance: 20%

RC	80	70	50	30	10	0
RW	70 50 30 10	70 50 30 10	50 30 10	50 30 10	50 30 10	0
0	118118118118	115115115115	110110110	104104104	100100100	97
1	111107104101	108105102 99	100 98 96	96 94 92	92 91 89	87
2	104 98 93 88	101 96 91 87	92 88 85	88 85 82	85 83 80	78
3	97 89 83 78	95 88 82 77	85 80 76	82 78 74	79 76 73	71
4	91 82 75 70	89 81 75 70	78 73 69	76 71 68	73 70 66	65
5	86 76 69 64	84 75 68 64	73 67 63	71 66 62	69 64 61	59
6	81 71 64 59	79 70 63 58	68 62 58	66 61 57	64 60 56	55
7	77 66 59 54	75 65 59 54	64 58 53	62 57 53	61 56 53	51
8	73 62 55 50	71 61 55 50	60 54 50	58 53 49	57 53 49	48
9	69 58 52 47	68 58 51 47	56 51 47	55 50 46	54 50 46	45
10	66 55 49 44	65 54 48 44	53 48 44	52 47 44	51 47 43	42

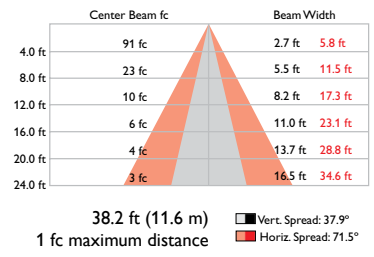
ColorFuse Powercore
4 ft, 30° x 60° (medium) beam angle

LED	Lumens	Efficacy
RGB	1391	29.2

Polar Candela Distribution



Illuminance at Distance



Zonal Lumen

ZONE	LUMENS	%FIXT
0- 30	797	57.3
0- 40	1053	75.7
0- 60	1267	91.2
0- 90	1366	98.2
90-120	19	1.4
90-130	22	1.6
90-150	25	1.8
90-180	25	1.8
0-180	1391	100.0

Coefficients Of Utilization - Zonal Cavity Method

Effective Floor Cavity Reflectance: 20%

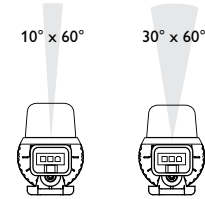
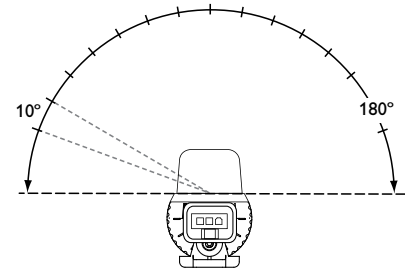
RC	80	70	50	30	10	0
RW	70 50 30 10	70 50 30 10	50 30 10	50 30 10	50 30 10	0
0	119119119119	116116116116	110110110	105105105	100100100	98
1	111108105102	109106103100	101 99 97	97 95 94	93 92 91	89
2	105 99 94 90	102 97 92 88	93 89 86	90 87 84	87 84 82	80
3	98 91 85 80	96 89 84 79	86 81 78	83 79 76	81 77 75	73
4	92 84 77 72	90 82 76 72	80 75 70	77 73 69	75 72 68	67
5	87 77 71 66	85 76 70 65	74 69 64	72 67 64	70 66 63	61
6	82 72 65 60	80 71 65 60	69 64 59	68 63 59	66 62 58	57
7	78 67 60 56	76 66 60 55	65 59 55	64 58 55	62 58 54	53
8	74 63 56 52	72 62 56 52	61 55 51	60 55 51	59 54 51	49
9	70 59 53 48	69 59 52 48	57 52 48	56 51 48	55 51 47	46
10	66 56 49 45	65 55 49 45	54 49 45	53 48 45	52 48 44	43

For lux multiply fc by 10.7

Specifications

Due to continuous improvements and innovations, specifications may change without notice.

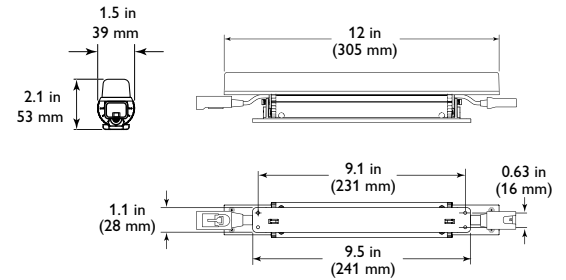
Item	Specification	1 ft (305 mm)	4 ft (1.2 m)
Output	Lumens*	384 (10° x 60° beam angle) 380 (30° x 60° beam angle)	1407 (10° x 60° beam angle) 1391 (30° x 60° beam angle)
	Lumen Maintenance†	50,000 hours L70 @ 25° C 90,000 hours L50 @ 25° C	37,000 hours L70 @ 50° C 80,000 hours L50 @ 50° C
	LED Channels	Red / Green / Blue	
Electrical	Input Voltage	100 – 240 VAC, auto-switching, 50 / 60 Hz	
	Power Consumption	12.5 W maximum at full output, steady state	50 W maximum at full output, steady state
Control	Interface	Data Enabler Pro (DMX or Ethernet)	
	Control System	Philips full range of controllers, including Light System Manager, iPlayer 3, and ColorDial Pro, or third-party controllers	
Physical	Dimensions (Height x Width x Depth)	2.1 x 12 x 1.5 in (53 x 305 x 39 mm)	2.1 x 48 x 1.5 in (53 x 1219 x 39 mm)
	Weight	0.98 lbs (.45 kg)	4.37 lbs (1.98 kg)
	Housing	Die-cast aluminium, white powder-coated finish.	
	Lens	Polycarbonate	
	Fixture Connections	Integral male / female connectors	
	Temperature Ranges	-4° – 122° F (-20° – 50° C) Operating -4° – 122° F (-20° – 50° C) Startup -40° – 176° F (-40° – 80° C) Storage	
	Humidity	0 – 95%, non-condensing	
Certification and Safety	Certification	UL / cUL, FCC Class B, CE, PSE, CCC, C-Tick, SAA	
	Environment	Dry / Damp Location, IP20	



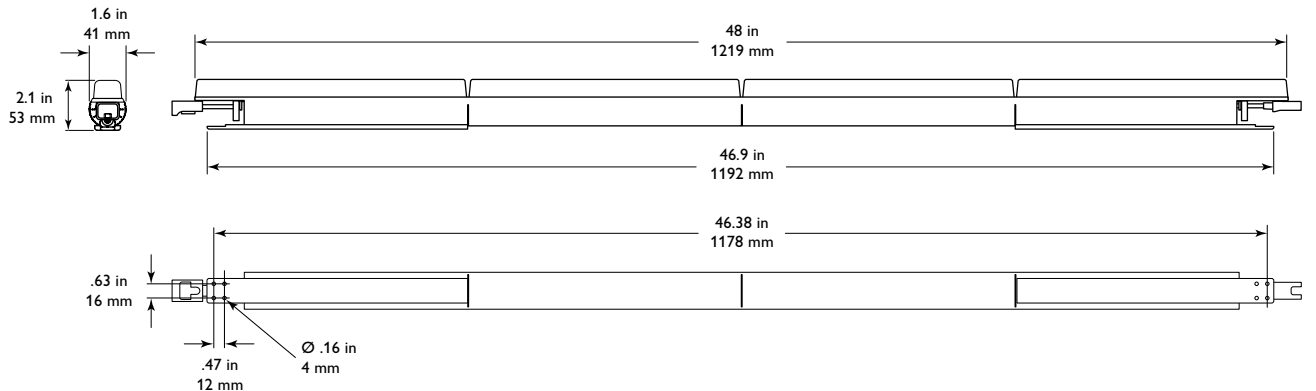
* Lumen measurement complies with IES LM-79-08 testing procedures.



† L70 = 70% lumen maintenance (when light output drops below 70% of initial output). L50 = 50% lumen maintenance (when light output drops below 50% of initial output). Ambient luminaire temperatures specified. Lumen maintenance calculations are based on lifetime prediction graphs supplied by LED source manufacturers. Calculations for white-light LED fixtures are based on measurements that comply with IES LM-80-08 testing procedures. Refer to www.philipscolorkinetics.com/support/appnotes/lm-80-08.pdf for more information.



CHROMACORE[®] CKTECHNOLOGY | OPTIBIN[®] CKTECHNOLOGY | POWERCORE[®] CKTECHNOLOGY



Fixtures and Accessories

ColorFuse Powercore fixtures are part of a complete system which includes fixtures and:

- One or more Data Enabler Pro devices.
- One Leader Cable to connect each Data Enabler Pro output to a series of fixtures, or one Wiring Compartment with a sufficient length of 4-conductor copper wire. Standard 12 AWG stranded wire is recommended.
- Any Philips controller, including Light System Manager, iPlayer 3, and ColorDial Pro, or a third-party controller.

Included in the box

ColorFuse Powercore fixture
Installation Instructions

Item	Type		Item Number	Philips 12NC
ColorFuse Powercore 1 ft (305 mm)	10° x 60°	UL / cUL / CE	123-000066-00	910503701783
		CCC	123-000066-02	910503701993
	30° x 60°	UL / cUL / CE	123-000066-01	910503701784
		CCC	123-000066-03	910503701994
ColorFuse Powercore 4 ft (1.2 m)	10° x 60°	UL / cUL / CE	123-000066-04	910503702589
		CCC	123-000066-06	910503703167
	30° x 60°	UL / cUL / CE	123-000066-05	910503702590
		CCC	123-000066-07	910503703168

Optional mounting track ensures straight runs of fixtures.

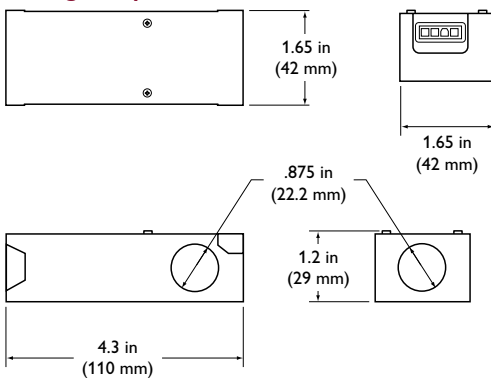
Depending on the installation's design, you may need jumper cables to add space between fixtures.

Mounting Track, White	1 @ 4 ft (1219 mm)		120-000124-00	910503701787
Leader Cable with Terminator	10 ft (3.1 m)	UL / cUL	108-000050-00	910503701686
		CE / CCC	108-000050-01	910503701687
Jumper Cable	1 ft (305 mm)	UL / cUL	108-000049-01	910503701683
		CE / CCC	108-000049-03	910503701685
	5 ft (1.5 m)	UL / cUL	108-000049-00	910503701682
		CE / CCC	108-000049-02	910503701684
Wiring Compartment with Terminator		UL / cUL	120-000077-02	910503701740
Terminator, Quantity 10			120-000099-01	910503704251

Data Enabler Pro	3/4 in / 1/2 in NPT (U.S. trade size conduit)	106-000004-00	910503701210
	PG21 / PG13 (metric size conduit)	106-000004-01	910503701211

Use Item Number when ordering in North America.

Wiring Compartment dimensions



Installation

ColorFuse Powercore offers high-intensity, full-color surface grazing and wall washing with Powercore technology. Powercore, which integrates LED power and data management within the fixture, eases installation by eliminating the need for external power supplies.

Owner / User Responsibilities

It is the responsibility of the contractor, installer, purchaser, owner, and user to install, maintain, and operate ColorFuse Powercore fixtures in such a manner as to comply with all applicable codes, state and local laws, ordinances, and regulations. Consult with the appropriate electrical inspector to ensure compliance.

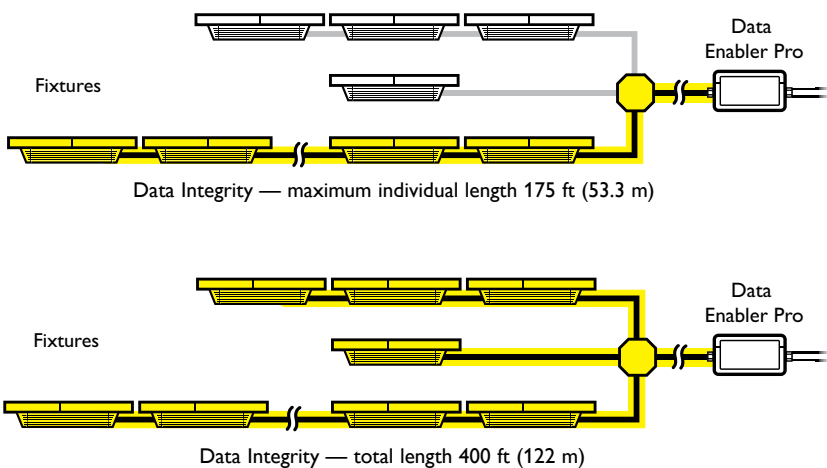
Prepare for the Installation

Determine the appropriate location of each Data Enabler Pro in relation to the fixtures, and of the fixtures in relation to each other. The Data Enabler Pro and first fixture must be separated by no more than the 10 ft (3.1 m) length of the Leader Cable.

ColorFuse Powercore fixtures are installed in series. The in-line connectors allow end-to-end fixture connections for the best visual effects. Joined directly together, the connectors on the 1 ft (305 mm) fixtures allow for spacing of .4 in (10 mm) to .9 in (23 mm) without a jumper cable, while the connectors on the 4 ft (1.2 m) fixtures allow for spacing of .9 in (23mm) to 2 in (51 mm) without a jumper cable. When you need to separate fixtures by more than these minimums, use the 1 ft (305 mm) or 5 ft (1.5 m) jumper cables.

The maximum number of fixtures each Data Enabler Pro can support depends on specific configuration details such as fixture length, fixture spacing, circuit size, line voltage, and Leader Cable length. For help calculating the number of fixtures your specific installation can support, download the Configuration Calculator from www.philipscolorkinetics.com/support/install_tool/, or consult Application Engineering Services at support@colorkinetics.com.

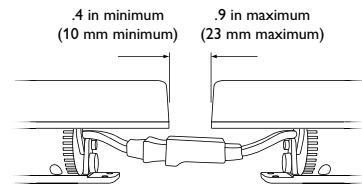
In addition to maximum fixture run lengths determined by the electrical configuration, each Data Enabler Pro imposes maximum run lengths based on data integrity. To ensure data integrity, maximum individual run lengths should not exceed 175 ft (53.3 m), and the total cable length per Data Enabler Pro should not exceed 400 ft (122 m).



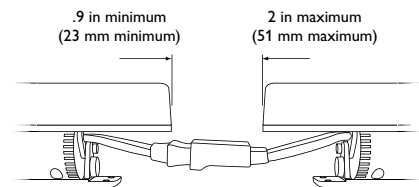
✳ Refer to the ColorFuse Powercore Installation Instructions for specific warning and caution statements.

✳ Refer to the Data Enabler Pro Installation Instructions or Product Guide for guidelines on configuring and positioning the Data Enabler Pro in relation to the controller.

Distance between fixtures joined end-to-end



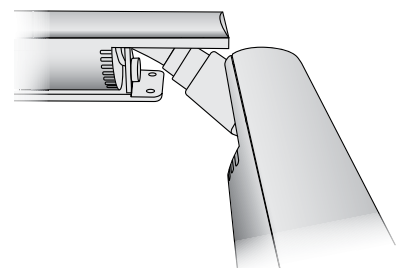
1 ft (305 mm) fixtures



4 ft (1.2 m) fixtures

Easy turns

End-to-end locking power connectors can make turns of up to 180° without jumper cables.



Start the Installation

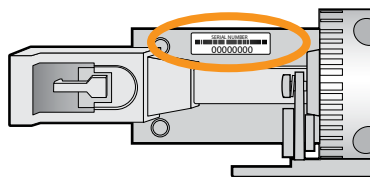
1. Install all Data Enabler Pro devices, including any interfaces with controllers.
One Leader Cable is required to connect each run or series of fixtures to a Data Enabler Pro. The Data Enabler Pro sends power and control signals to the fixtures over the Leader Cable.
2. Verify that all additional supporting equipment (switches, controllers) is in place.
3. If your installation calls for Jumper Cables to add space between fixtures, make sure they are available.
4. Ensure that all additional parts (optional mounting tracks, mounting hardware, terminators) and tools are available.

Unpack and Prepare Fixtures

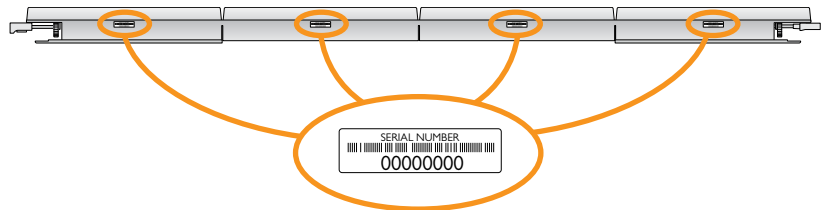
1. Carefully inspect the box containing ColorFuse Powercore and the contents for any damage that may have occurred in transit.
2. On an architectural diagram or other diagram that shows the physical layout of the installation, identify the locations of all switches, controllers, power supplies, fixtures, and Leader and Jumper Cables.
3. ColorFuse Powercore fixtures are addressable in 1 ft (305 mm) segments. This feature allows playback controllers to send unique light output data to each segment of each fixture within your installation.

Each fixture segment (node) comes pre-programmed with a unique serial number. Fixtures have one or four serial numbers depending on fixture length. As you unpack the fixtures, record the serial numbers in a layout grid (typically a spreadsheet or list) for easy reference and light addressing.

4. Assign each fixture to a position in the lighting design plan.



Location of serial number on 1 ft (305 mm) ColorFuse Powercore fixtures



Location of serial numbers on 4 ft (1.2 m) ColorFuse Powercore fixtures

5. To streamline installation and aid in light show programming, you can affix a weatherproof label identifying the order or placement in the installation to an inconspicuous location on each fixture's housing.

Included in the box

ColorFuse Powercore fixture

Installation Instructions

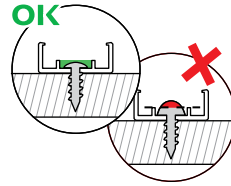
Install the Fixtures

You can mount ColorFuse Powercore fixtures directly to a wall, ceiling, cabinet, or other secure surface. For linear applications, you can install several ColorFuse Powercore fixtures in optional 4 ft (1.2 m) lengths of mounting track to ensure straight runs.

Install Mounting Tracks (Optional)

1. Field-cut the mounting tracks to the desired length with hacksaws or tin snips.
2. Install the mounting tracks using hardware suitable for the mounting surface.

To ensure proper fixture fit, hardware must not extend above the track standoffs after installation. The recommended maximum spacing between screws is 12 in (305 mm).



Mount and Connect the Fixtures

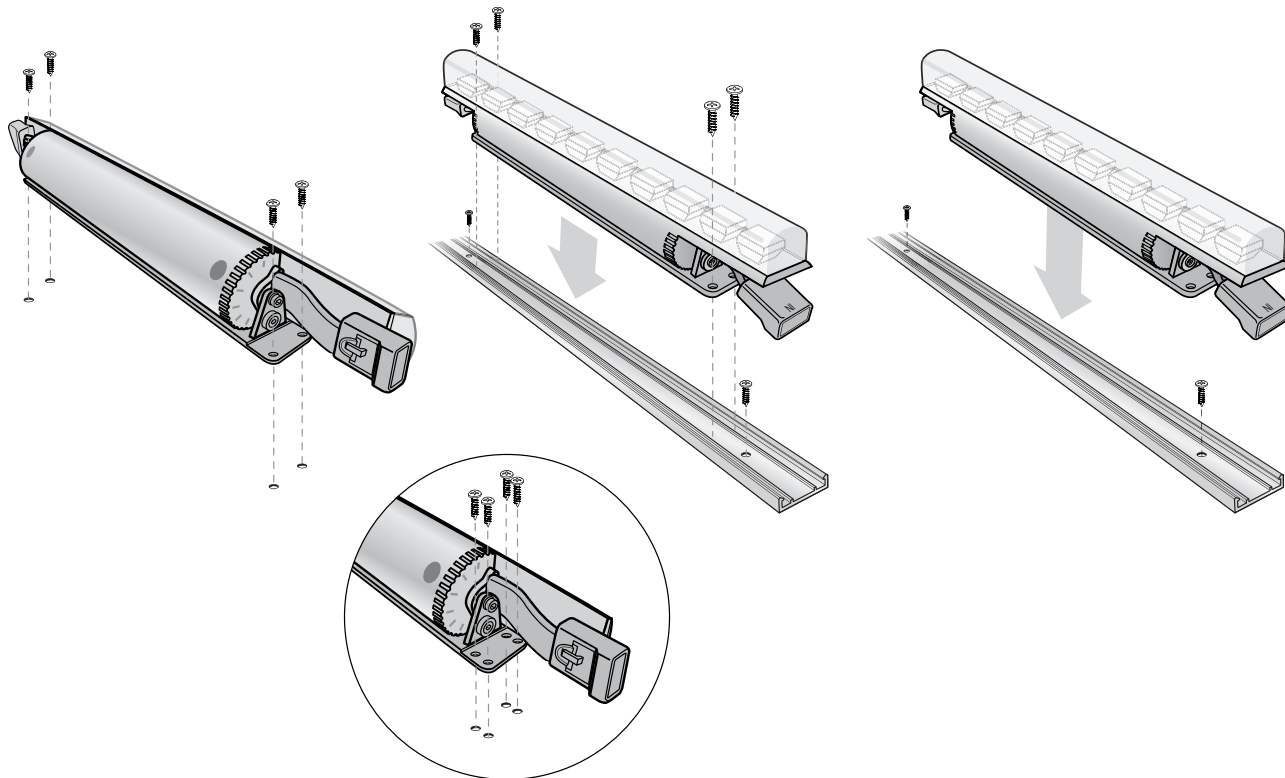
Make sure the power is OFF before mounting and connecting fixtures.

1. Rotate an ColorFuse Powercore fixture as necessary to provide unobstructed access to the mounting holes.
2. Position the first fixture in a series.

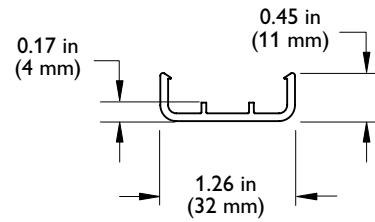
If using mounting tracks on a horizontal surface, snap the fixture into the track.

If using mounting tracks on vertical or overhead surfaces, or if not using mounting tracks, attach 1 ft (305 mm) fixtures with four #6 (3.5 mm) mounting screws each (not included) suitable for the mounting surface. Attach 4 ft (1.2 m) fixtures with eight #6 (3.5 mm) mounting screws suitable for the mounting surface, four at each end of the fixture.

Ensure that the male connector is in position to receive data and power from the leader cable's female connector.



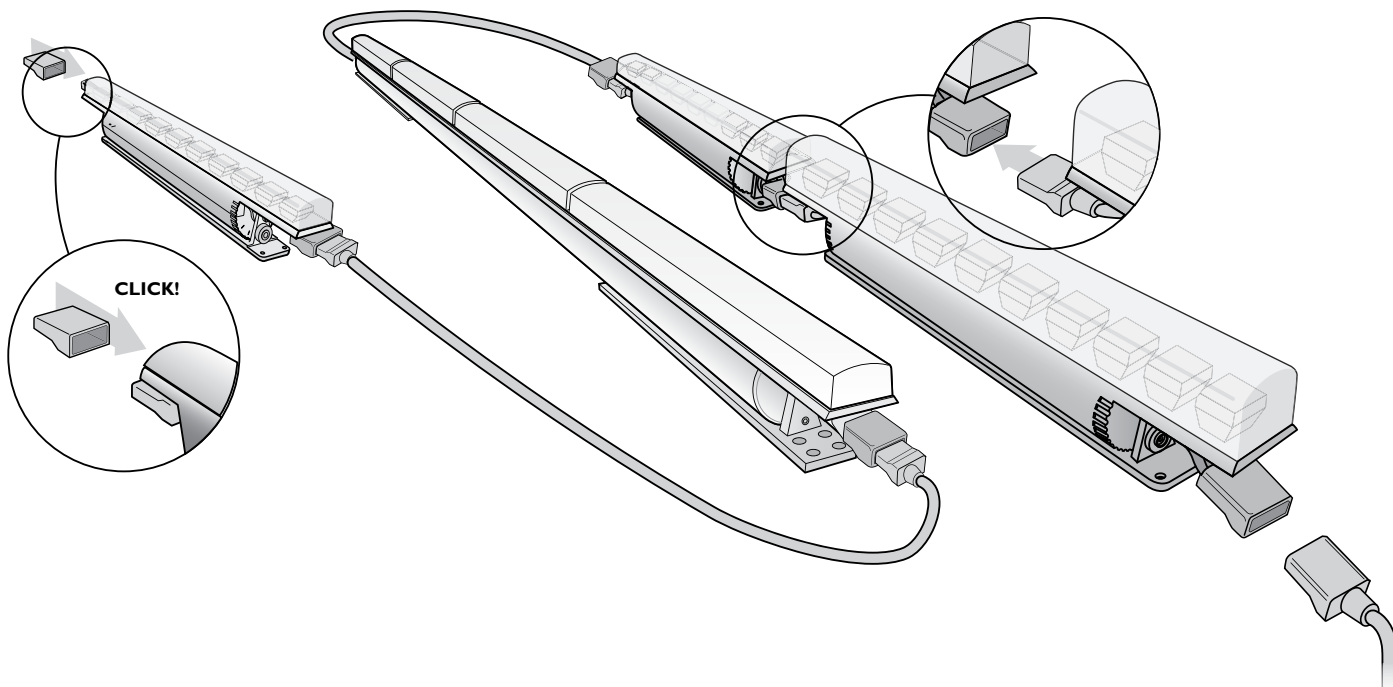
Mounting 4 ft (1.2 m) fixtures



✳ You can use the fixture base as a template when pre-drilled holes are required. Hold the fixture in place and mark the four screw holes.

✳ If using the Wiring Compartment to run conduit from Data Enabler Pro to the first fixture in a run, make sure you leave enough space at the end of the run to accommodate the Wiring Compartment.

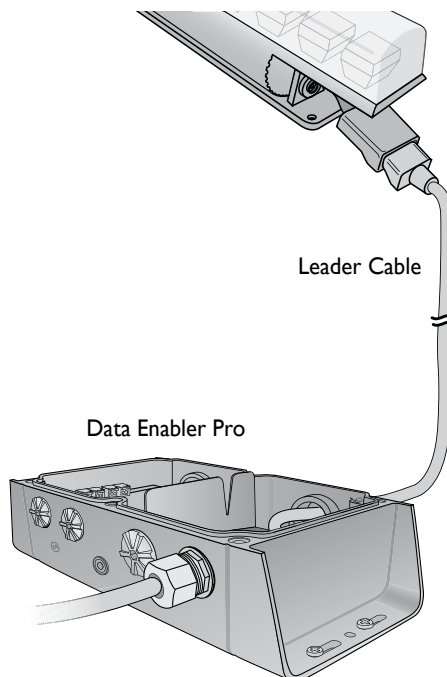
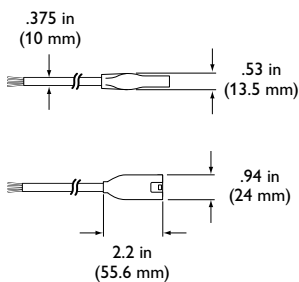
3. Position the next fixture in the series, matching the male connector end to the female connector of the previously mounted fixture. Attach the fixture to the surface or snap it into the track.
4. Continue mounting the fixtures, making power / data connections as you go, until all lights in the series are mounted.
5. Insert the provided terminator into the last fixture in the series.



Make Power Connections

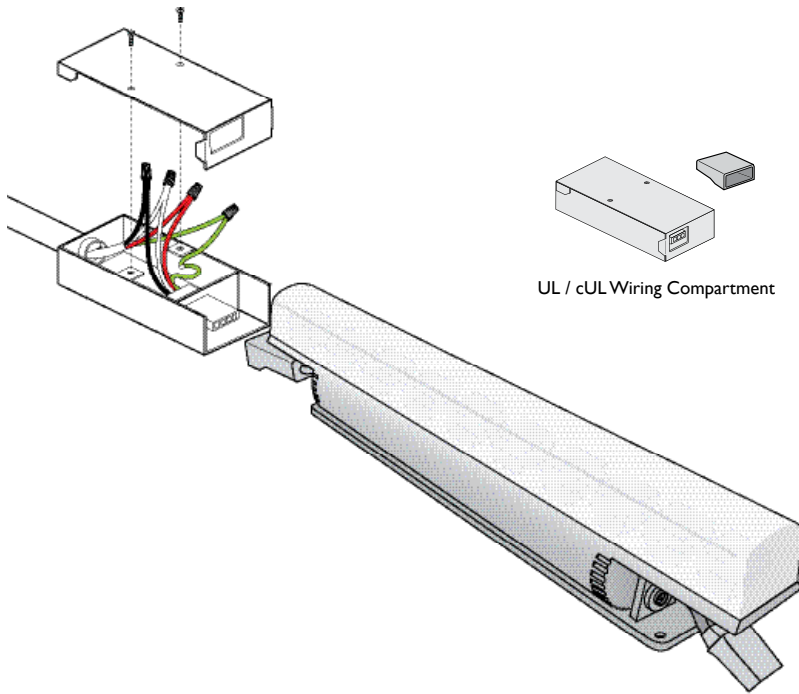
1. If using a Leader Cable, connect the Leader Cable to the first fixture in the series. Run the Leader Cable to the Data Enabler Pro.

Leader Cable connector dimensions

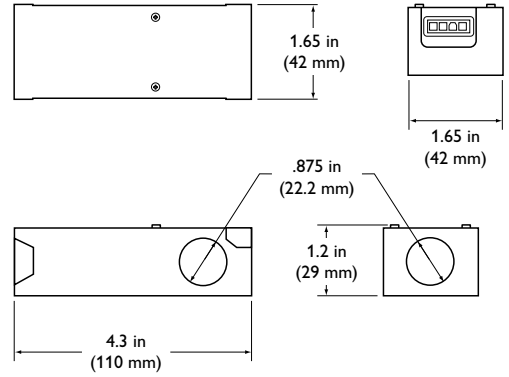


- If using the ColorFuse Powercore Wiring Compartment to run conduit from the Data Enabler Pro to the first fixture in a series, pull cable through conduit. (We recommend standard 4-conductor 12 AWG copper wire.)

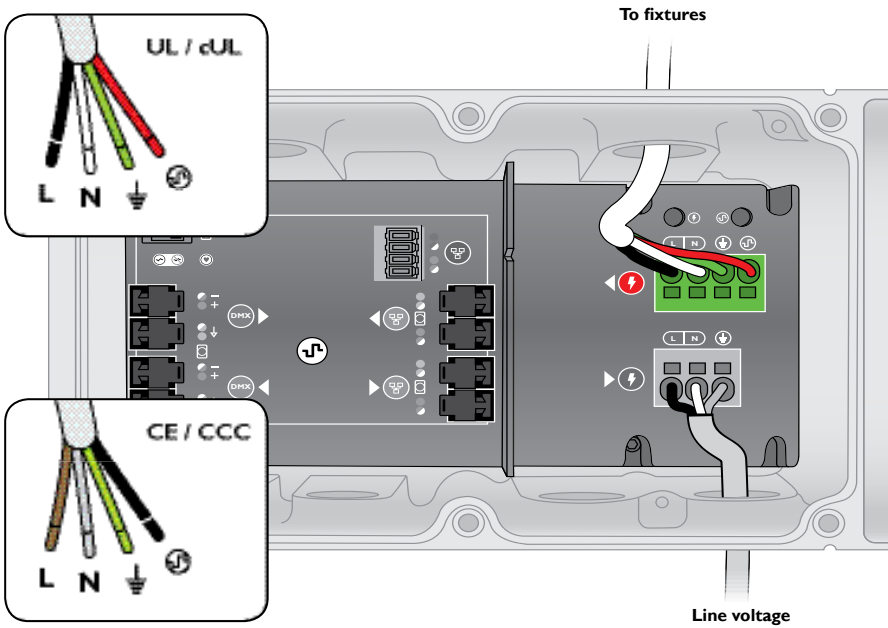
Remove the cover from the Wiring Compartment. Using wire nuts, make wire connections inside the Wiring Compartment housing, then replace the cover. Connect the Wiring Compartment to the first fixture in the series.



Wiring Compartment dimensions



- Secure connections within the Data Enabler Pro housing.



- Repeat steps 1 – 7 for each Data Enabler Pro in the installation.

Address and Configure the Fixtures

Make sure the power is ON before addressing and configuring fixtures.

ColorFuse Powercore fixtures are addressable in 1 ft (305 mm) segments, or nodes. ColorFuse Powercore fixtures have one or four nodes, depending on fixture length. Each node is identified by a unique serial number.

ColorFuse Powercore fixtures operate in 8-bit mode by default. You can configure ColorFuse Powercore to operate in 16-bit mode, which increases fixture resolution for smoother dimming.

In 8-bit mode, fixture nodes use one DMX address per LED channel (red, green, and blue). In 16-bit mode, fixture nodes use two DMX addresses per LED channel. The first DMX address corresponds to the “coarse” data for that channel, and the second corresponds to the “fine” data. By using double the number of DMX addresses, 16-bit mode increases fixture resolution from 256 dimming steps to 65,536 (256 x 256) dimming steps.

** You can address fixtures and switch between 8-bit mode and 16-bit mode using QuickPlay Pro. You can download QuickPlay Pro from www.colorkinetics.com/support/addressing/*

DMX Channel Assignments Per Node						
8-Bit Mode	1		2		3	
	Red		Green		Blue	
16-Bit Mode	1	2	3	4	5	6
	Red Coarse	Red Fine	Green Coarse	Green Fine	Blue Coarse	Blue Fine

Each ColorFuse Powercore node comes factory-addressed with a starting DMX address of 1. For lighting designs where fixtures work in unison, all nodes can be assigned the same starting DMX address. Changes to the default starting DMX address are not necessary, but if nodes were previously readdressed for use in other installations, you must reset them. For light show designs that show different colors on different fixtures, you must assign unique DMX addresses to nodes and sort them in a useful order.

** You will need the layout grid that you created when you recorded the serial numbers of the light fixtures in your installation.*

- In Ethernet installations, you can address and configure your fixtures using QuickPlay Pro with a computer connected to your lighting installation’s network. QuickPlay Pro can automatically discover all of your fixtures, controllers, and Data Enabler Pro devices for quick configuration.
- In DMX installations, you can address and configure your fixtures using QuickPlay Pro with iPlayer 3 or SmartJack Pro. You can manually enter fixture serial numbers, or you can import a spreadsheet listing each fixture’s serial number and starting DMX address.

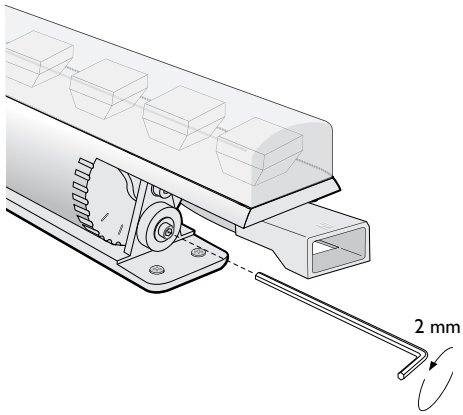
For complete details on addressing and configuring ColorFuse Powercore fixtures with QuickPlay Pro, refer to the *Addressing and Configuration Guide*, which you can view or download at www.philipscolorkinetics.com/support/addressing.

Aim and Lock the Fixtures

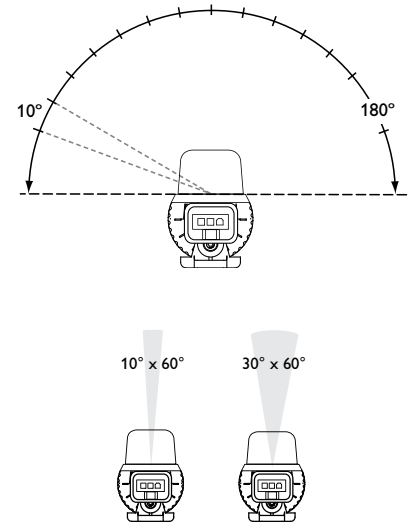
Make sure the power is ON before aiming the fixtures.

Aim the fixtures by rotating each fixture to the correct angle. There are detents every 10° in the bracket that hold it in position.

(Optional) Using a 2 mm hex key wrench, tighten the set screw located on each end of the fixture to lock the fixture in place.



⚠ Do not look directly into the fixture when aiming and locking.





Philips Color Kinetics
3 Burlington Woods Drive
Burlington, Massachusetts 01803 USA
Tel 888.385.5742
Tel 617.423.9999
Fax 617.423.9998
www.philipscolorkinetics.com

Copyright © 2011 - 2013 Philips Solid-State Lighting Solutions, Inc. All rights reserved.
Chromacore, Chromasic, CK, the CK logo, Color Kinetics, the Color Kinetics logo, ColorBlast,
ColorBlaze, ColorBurst, eW Fuse, ColorGraze, ColorPlay, ColorReach, iW Reach, eW Reach,
DIMand, EssentialWhite, eW, iColor, iColor Cove, IntelliWhite, iW, iPlayer, Optibin, and Powercore
are either registered trademarks or trademarks of Philips Solid-State Lighting Solutions, Inc. in
the United States and / or other countries. All other brand or product names are trademarks
or registered trademarks of their respective owners. Due to continuous improvements and
innovations, specifications may change without notice.
Cover Photo: Jordan Conference Room, Oklahoma City,
Oklahoma, USA by Simon Hurst Photography

DAS-000078-00 R03 05-13